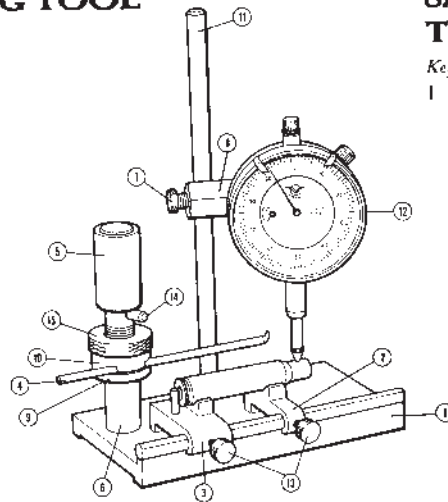




87310 CASE MASTER GAUGING TOOL

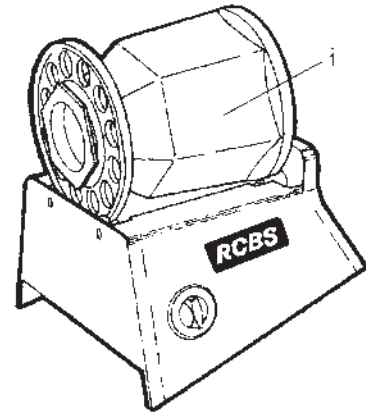
Key	Part #	Description
1	791021	Base
2	791014	V-Block, Small
3	791015	V-Block, Large
4	787314	Probe
5	787315	Case Neck Pin Sleeve
6	787316	Probe Stand
7	787317	Thumbscrew, 8-32, Brass
8	787318	Indicator Adjustment Bracket
9	787320	Probe Retainer Sleeve
10	787321	Probe Retainer
11	787322	Support Rod
12	187327	Dial Indicator
13	787328	Thumbscrew, 10-32, Brass (2)
14	787329	Case Neck Pin
15	787331	Knurled Nut, 9/16"-18
◆	187319	Thumbscrew, 8-32
◆	787323	Flat Indicator Tip
◆	187324	Flathead Allen Cap Screw (2)
◆	187330	Accessory Base Plate Lockdown Screw (2)

◆ Not shown.



87000 SIDEWINDER CASE TUMBLER

Key	Part #	Description
1	87050	Drum Assembly

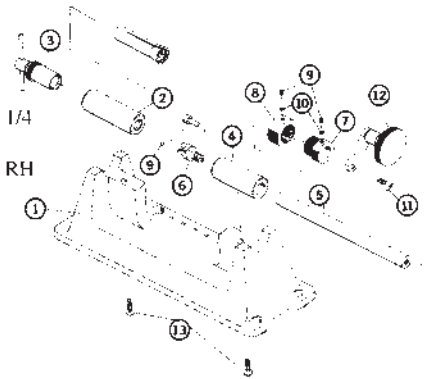


09370 ROTARY CASE TRIMMER-2

Key	Part #	Description
1	◆	Base
2	98936	Collet Holder Sleeve
3	98947	Collet Holder Assembly
4	98938	Cutter Guide
5	09405	Cutter Shaft
6	09406	Cutter
7	09407	Adjustment Bushing
8	09408	Fine Adjustment Bushing
9	09409	Setscrew, 8/32 x 1/8 (3)
10	09410	Brass Buffer (2)
11	09019	Binder Head Screw 10/32 x 1/4
12	98948	Palm Handle Assembly
13	09413	Machine Screw 10/32 x 1/2 RH

◆ Not available separately.

NOTE: This product has been discontinued and is no longer available. Some replacement parts are available. Call or write RCBS Customer Service for information.



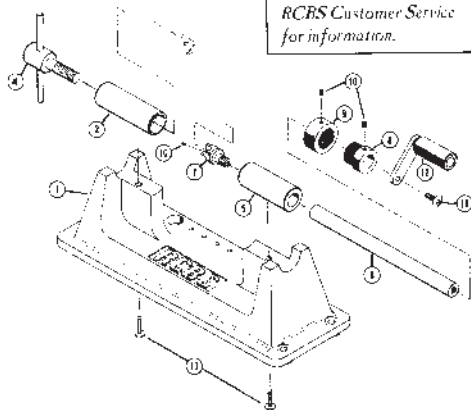
09369 ROTARY CASE TRIMMER

Key	Part #	Description
1	◆	Base
2	09401	Collet Holder
4	09411	Collet Draw Screw Assembly
5	09404	Cutter Guide
6	09405	Cutter Shaft
7	09406	Cutter
8	09407	Adjustment Bushing
9	09408	Fine Adjustment Bushing
10	09409	Setscrew, 8/32x1/8 (3)
◆	09410	Brass Buffer (2)
11	09019	Handle Screw
12	09414	Handle Assembly
13	09413	Base Screw, 10/32 x 1/2 (2)

◆ Not shown.

◆ Not available separately.

NOTE: This product has been discontinued and is no longer available. Some replacement parts are available. Call or write RCBS Customer Service for information.



87088 VIBRATORY CASE CLEANER

Key	Part #	Description
1	55005	Lock Nut
2	87096	Bowl & Lid Set

