



09256 RELOADER SPECIAL-2 PRESS 09250 RELOADER SPECIAL-3 PRESS

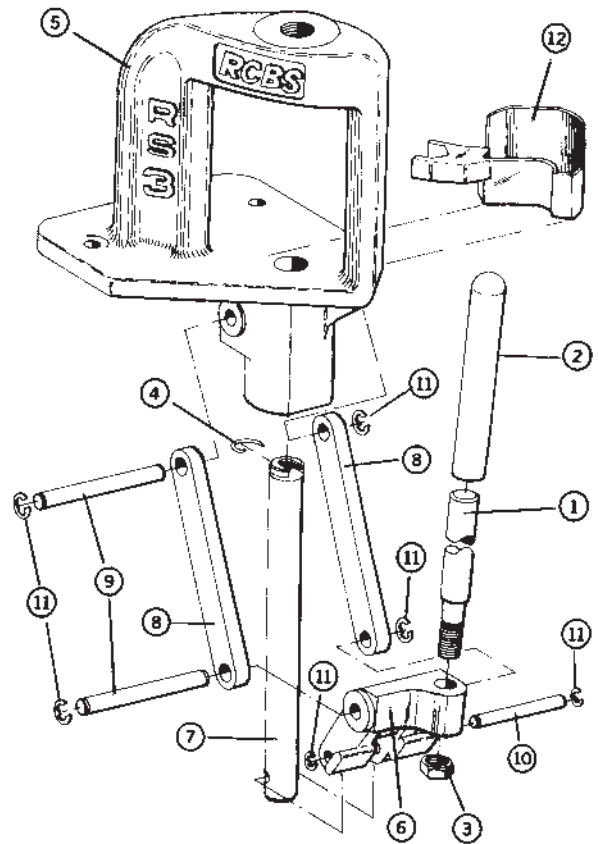
Key	Part #	Description
1	09267	Handle
2	09264	Handle Grip
-	09269	Grip Handle Assembly (Includes Keys 1 & 2)
-	86850	Ball Handle Assembly (Alternate)
3	09265	Hex Jam Nut 9/16-18 x 5/16
4	09111	Shell Holder Ram Clip Spring
5	◆	Frame
6	09258	Toggle Block
7	09259	Shell Holder Ram
8	09261	Link (2)
9	09262	Link Pin (2)
10	09263	Ram Pin
11	09266	Retaining Ring 3/8" (6)
12	09268	Primer Catcher
◆	09138	Bushing 1 1/4-12 to 7/8-14*

NOTE: This product has been discontinued and is no longer available. Some replacement parts are available. Call or write RCBS Customer Service for information.

* RS-3 Press only.

Note: The Reloader Special-2 & 3 Presses utilize the Ram Priming Unit for priming. See page 15 for those replacement parts.

◆ Included but not shown
◆ Not available separately



09285 RELOADER SPECIAL 5 PRESS

Key	Part #	Description
1	◆	Frame
2	09268	Primer Catcher
3	87414	Handle Ball
4	86860	Handle
-	86850	Ball Handle Assembly (Includes Keys 3 & 4)
5	09258	Toggle Block
6	09263	Ram Pin
7	09265	Hex Jam Nut, 9/16-18 x 5/16
8	09266	Retaining Ring, 3/8" (6)
9	88206	Ram
10	88207	Link (2)
11	88208	Link Pin (2)
12	09260	Bow Washer, 3/8" (2)
13	09111	Shell Holder Ram Clip Spring
14	87417	Primer Arm Pin
15	88210	Primer Arm
16	87670	Retaining E Ring
17	09552	Primer Plug, Sleeve & Spring, Large
17	09553	Primer Plug, Sleeve & Spring, Small
18	88213	Primer Arm Assembly (Includes Keys 7, 14, 15, 16, & 17)
20	09138	Bushing

◆ Not available separately

