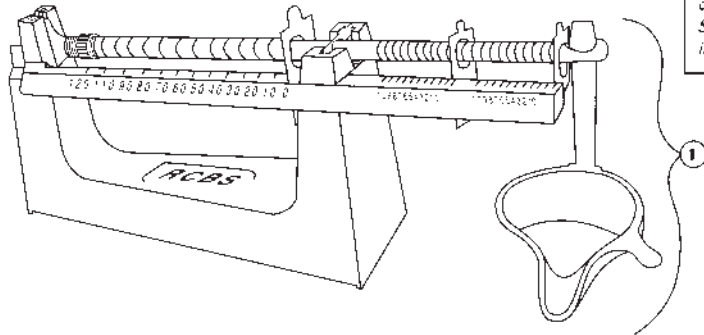


90400 RC 130 MECHANICAL SCALE

| Key | Part # | Description |
|-----|--------|-----------------------|
| 1 | 189005 | Pan & Hanger Assembly |

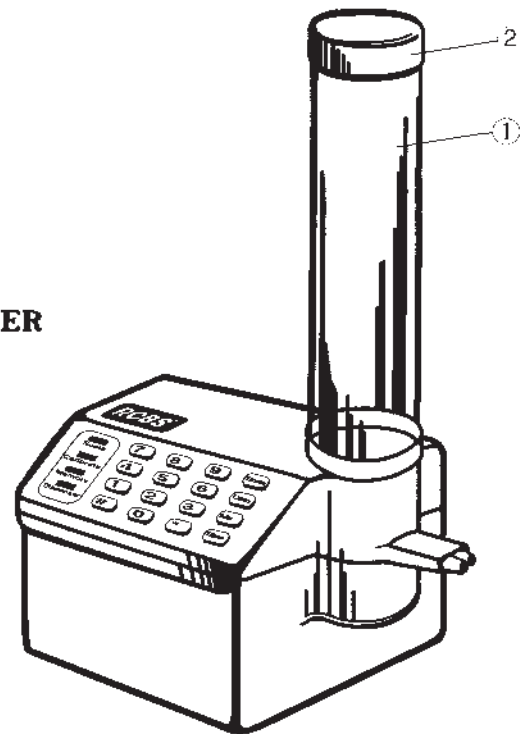
NOTE: Only the part listed is available. If other parts require replacement, contact RCBS Customer Service for further information.



98999 POWDERMASTER ELECTRONIC POWDER DISPENSER

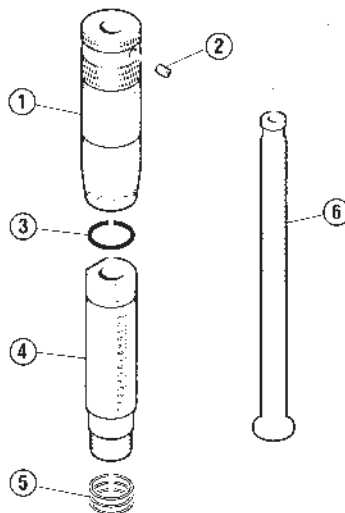
| Key | Part # | Description |
|-----|--------|-------------------|
| 1 | 55005 | Powder Hopper |
| 2 | 186045 | Powder Hopper Cap |

Note: Unit must be returned to manufacturer for all other parts. Call RCBS Customer Service for return information.



98901 UPM MICROMETER ADJUSTMENT SCREW

| Key | Part # | Description |
|-----|--------|---------------------------------|
| 1 | 98905 | Thimble |
| 2 | 81004 | Setscrew (10-32x3/16 Cup Point) |
| 3 | 81015 | O-Ring Seal |
| 4 | 98903 | Body |
| 5 | 98906 | Compensation Washers (3) |
| 6 | 98904 | Metering Screw, Large |
| 6 | 98907 | Metering Screw, Small |
| ◆ | 09635 | Hex Key Wrench, 3/32 |



◆ Not Shown