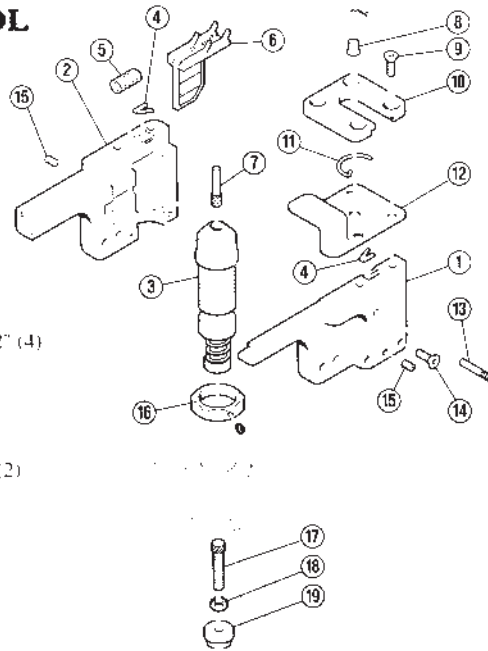


### 88503 APS PRESS PRIMING TOOL

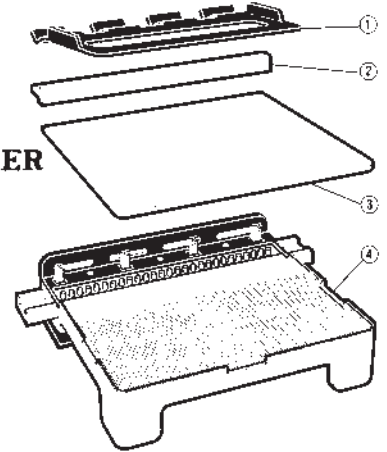
Key	Part #	Description
1	784103	Housing, Front
2	784104	Housing, Back
3	784116	Press Mount Cam Assembly
4	186231	Detent (2)
5	186236	Compression Spring
6	186230	Pusher
7	784111	Primer Rod, Sm.
7	784112	Primer Rod, Lg.
8	186232	Bushing, L.g.
8	186233	Bushing, Sm.
9	186239	Flat Socket Head Cap Screw 8-32 x 1/2" (4)
10	784102	Top Cap
11	09111	Shell Holder ram Clip Spring
12	102441	Top Plate
13	784106	Cam Lock Pin
14	186240	Flat Socket Head Cap Screw 8-32 x 1"(2)
15	186238	Setscrew 10-24 x 5/16" (2)
16	87501	Lock Ring Assembly
17	784105	Adjustment Rod
18	09604	Lock Nut 1/4"-28
19	784100	Adjustment Rod Holder



### 88505 APS STRIP LOADER

Key	Part #	Description
1	784133	Lever
2	186247	Primer Seater
3	186245	Tray Lid
4	◆	Base Assembly

◆ Not available separately



### 88501 APS BENCH PRIMING TOOL

Key	Part #	Description
1	784103	Housing, Front
2	784104	Housing, Back
3	784117	Bench mount Cam Assembly
4	186231	Detent (2)
5	186236	Compression Spring
6	186230	Pusher
7	784111	Primer Rod, Small
7	784112	Primer Rod, Large
8	186232	Bushing, Large
8	186233	Bushing, Small
9	186239	Flat Socket Head Cap Screw 8-32 x 1/2" (4)
10	784102	Top Cap
11	09111	Shell Holder Ram Clip Spring
12	102441	Top Plate
13	784106	Cam Lock Pin
14	186240	Flat Socket Head Cap Screw 8-32 x 1"(2)
15	186238	Setscrew 10-24 x 5/16" (2)
16	784115	Bench Mount Base
17	187159	Socket Head Cap Screw 1/4-28 x 3/4
18	109467	Hex Nut 1/4 - 28
19	784113	Handle
20	784108	Bench Mount Pivot
21	186235	Socket Head Cap Screw 1/4-20 x 3/4 (2)
22	09464	Shoulder Bolt
23	09467	Setscrew 5/16-18 x 3/8 Half Dog

