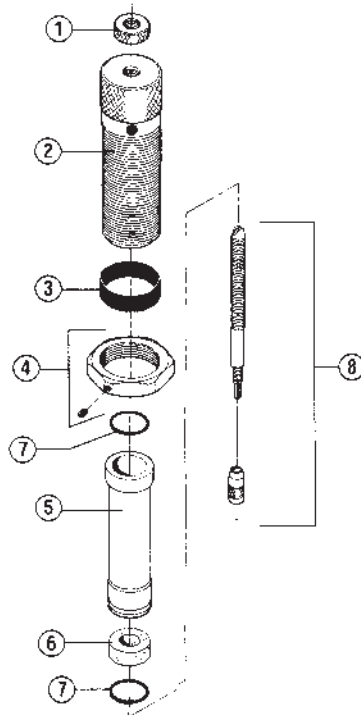




LUBE DIE

Key	Part #	Description
1	87570	Hex Lock Nut 12-28
2	◆	Lube Die Body
3	87571	Seal Ring
4	87501	Die Lock Ring 7/8-14
5	87562	Lube Retainer (#1, 2 & 3)
5	87564	Lube Retainer #4
6	87556	Felt Lubricating Bushing #1
6	87557	Felt Lubricating Bushing #2
6	87558	Felt Lubricating Bushing #3
6	87559	Felt Lubricating Bushing #4
7	81015	"O" Ring Seal
8	87568	Lube Die Decapping Unit

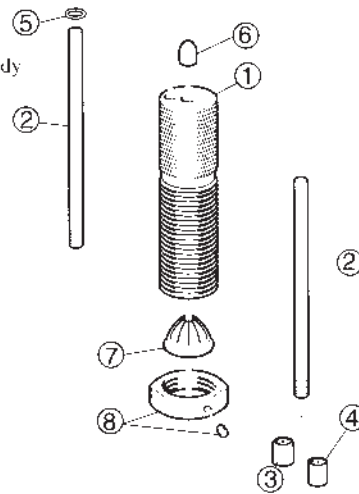
◆ Not available separately



87590 POWDER CHECKER

Key	Part #	Description
1	◆	Powder Checker Die Body
2	87592	Guide Rod (2)
3	787593	Guide Rod Tip, Large
4	787594	Guide Rod Tip, Small
5	87595	Indicating O-ring
6	87596	Guide Rod Cap
7	187597	Case Guide
8	87501	Die Lock Ring, 7/8-14

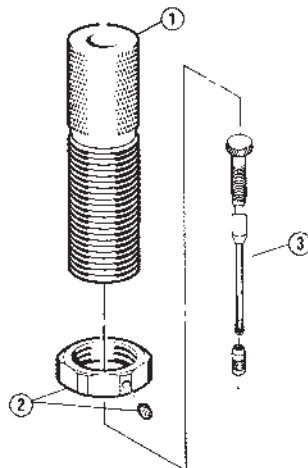
◆ Not available separately



X - SIZER DIE

Key	Part #	Description
1	◆	Die Body
2	87501	Lock Ring
3	38314	Mandrel Assembly 22 Hornet
3	37114	Mandrel Assembly 22-250
3	38814	Mandrel Assembly .220 Swift
3	37014	Mandrel Assembly .222 Rem.
3	37214	Mandrel Assembly .223 Rem.
3	37314	Mandrel Assembly .243 Win.
3	37514	Mandrel Assembly .270 Win.
3	37614	Mandrel Assembly 7mm Rem.
3	37714	Mandrel Assembly .30-06 Spgfld.
3	37914	Mandrel Assembly .30-30 Win.
3	38914	Mandrel Assembly .300 Win. Mag.
3	37814	Mandrel Assembly .308 Win.

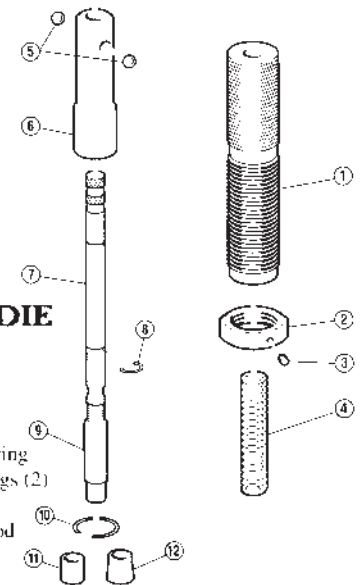
◆ Not available separately



87540 LOCK-OUT DIE

Key	Part #	Description
1	◆	Die Body
2	87501	Die Lock Ring
3	87502	Brass Set Screw
4	1-87547	Compression Spring
5	1-87548	Steel Ball Bearings (2)
6	7-87543	Die Case Lock
7	7-87542	Die Detention Rod
8	1-87549	External Clip
9	7-87544	Plunger
10	1-87546	Spring Clip
11	7-87551	Die Adaptor #1
12	7-87550	Die Adaptor #2

◆ Not available separately



87580 UNIVERSAL DECAP DIE

Key	Part #	Description
1	87570	Hex Lock Ring 12-28
2	◆	Die Body
3	87501	Die Lock Ring Assy, 7/8-14
4	87575	Decapping Unit

◆ Not available separately

