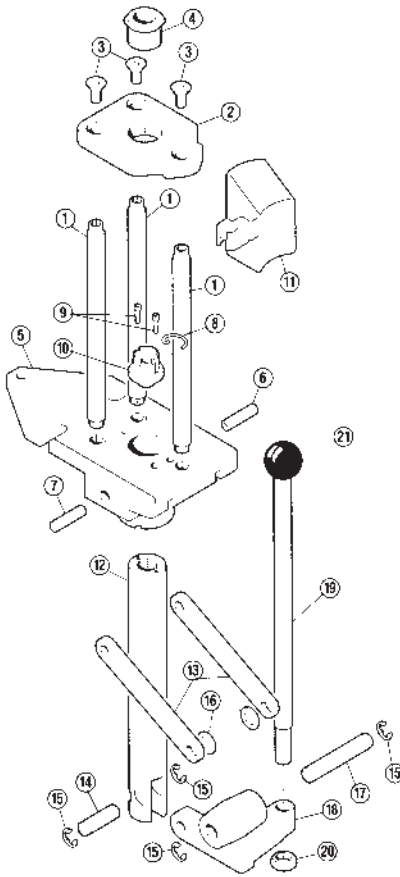




88701 AMMOMASTER SINGLE PRESS

Key	Part #	Description
1	88722	Support Rod (3)
2	88740	1-1/4" Top Plate
3	88750	3/8"-16 x 3/4" Flathead S.Screw (3)
4	09138	Bushing
5	88710	Base
6	09128	Link Pin, Right
7	09127	Link Pin, Left
8	09111	Ram Clip Spring
9	87159	SHCS 1/4"-28 x 3/4" (2)
10	88715	Shell Holder Adaptor
11	88732	Primer Catcher
12	88714	Ram
13	88719	Linkage Arms (2)
14	87166	Ram Pin
15	09105	1/2" Retaining Ring (4)
16	09144	Bow Washer (2)
17	88712	Toggle Block Pin
18	7-88695	Toggle Block
19	86857	Handle
20	09136	Handle lock Nut
21	09121	Handle Ball
❖	09165	Ram Priming Unit



❖ Included but not shown.

See Page 14 for replacement Parts for the Ram Priming Unit.

88708 .50 BMG CONVERSION KIT 1 - 3/8"-12

88709 .50 BMG CONVERSION KIT 1 - 1/2"-12

Key	Part #	Description
1	88742	Shell Holder Ram Adaptor
2	87505	Lock Nut
3	88730	Top Plate (1 3/8"-12)
3	88731	Top Plate (1 1/2"-12)
4	88747	Bushing 1 3/8"-12 to 7/8"-14
4	88748	Bushing 1 1/2"-12 to 7/8"-14
5	88750	Flathead Setscrew 3/8-16x3/4(3)
6	88722	Support Rods (3)
7	7-88711	Toggle Block
8	55005	Ram Priming Unit
9	88745	Primer Plug Flat
9	88760	Primer Plug Round
10	88744	Primer Sleeve (50 Cal.)
11	88749	Compression Spring (50 Cal.)
12	88743	PP Adjustment Shaft
13	80049	Adjustment Screw Lock Ring
14	7-88742	Ram Adaptor (50 Cal.)

